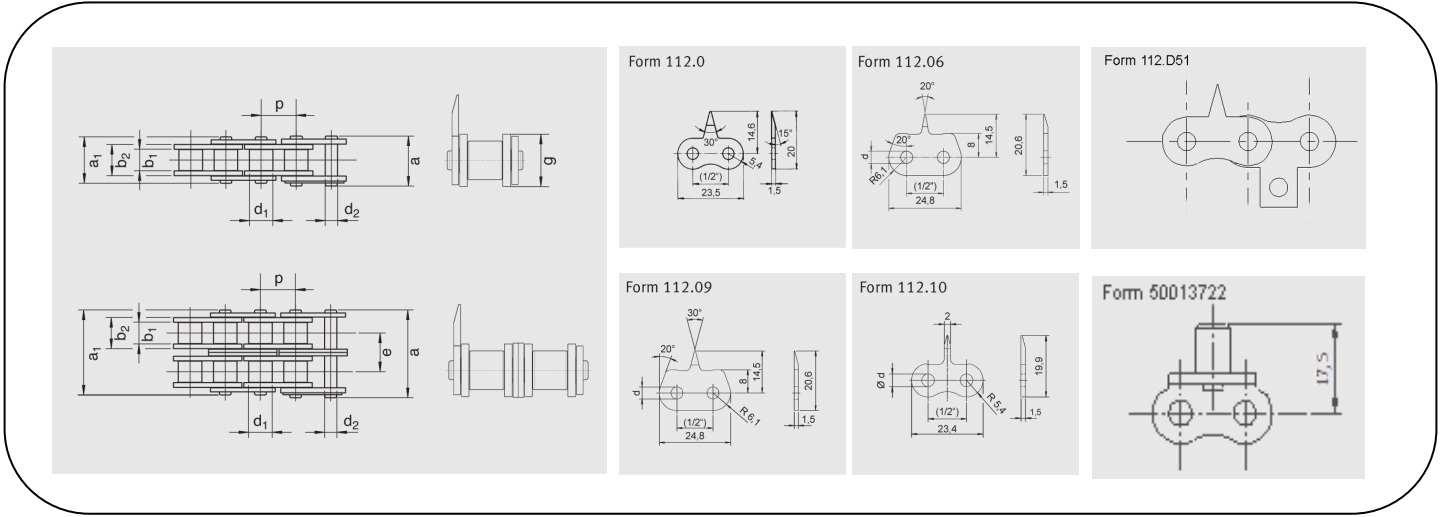
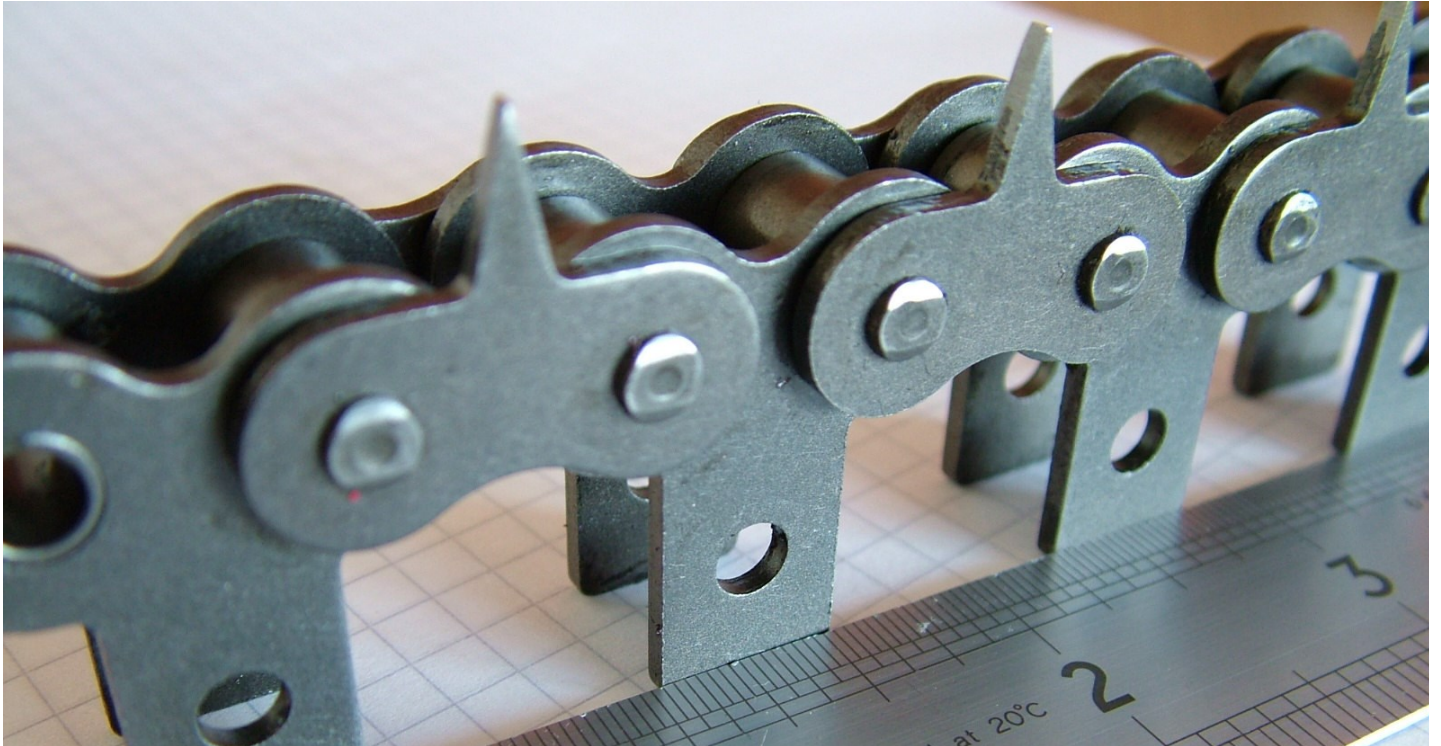




Altec UK Ltd, The Mohawk Building, Gorse Street, Blackburn. BB1 3EU  
 T. 0800 756 9669 T.01254 311155 F. 0800 756 9669  
 Sales@altec.uk.com

# Altec Thermoform Spike Chains



DIN ISO	Ref. no.	Pitch p (")	Pitch p (mm)	Breaking load $F_b$				Inner link			Outer link		Roller $d_1$ (mm) max.	Pin $d_2$ (mm) max.	Trans- verse pitch e (mm)
				Max (N) ave.	Norm (N) min.	Bearing area f (cm <sup>2</sup> )	Weight/m q (kg/m)	$b_1$ (mm) min.	$b_2$ (mm) max.	g (mm) max.	$a_1$ (mm) max.	a (mm) max.			
<b>08 B-1</b>	L 85 SL	1/2 x 5/16"	12,70	22.000	18.000	0,50	0,70	7,75	11,30	11,80	16,90	18,50	8,51	4,45	-
<b>08 B-2</b>	D 85 SL	1/2"	12,70	40.000	32.000	1,00	1,35	7,75	11,30	12,20	30,80	32,40	8,51	4,45	13,92

[www.altec.uk.com](http://www.altec.uk.com)



Altec UK Ltd, The Mohawk Building, Gorse Street, Blackburn. BB1 3EU  
T. 0800 756 9669 T.01254 311155 F. 0800 756 9669  
Sales@altec.uk.com

# Altec Thermoform Spike Chains

## Product Highlights

- Reliably and safely transport thermoformed and other hard plastics.
- Curved "spikes" can precisely puncture the plastic along the "discard" side.
- Pull the material smoothly during the conveying process.
- Chains feature double strands for superior rigidity and optimum support of packaging materials.
- Pitches range from 1/2 in. to 5/8 in. to satisfy typical application requirements.
- Angled at 17° to enable clean and exacting punctures in the plastic.
- No distortion or initial damage to the material during conveyance.
- Design to reduce packaging materials from lifting or misaligning.
- Pre-tensioned chains exhibit excellent wear resistance, high fatigue strength, and efficient initial lubrication.
- They are built to run quietly and promote extended service life. Minimal maintenance beyond standard lubrication is required.

## Machine Types

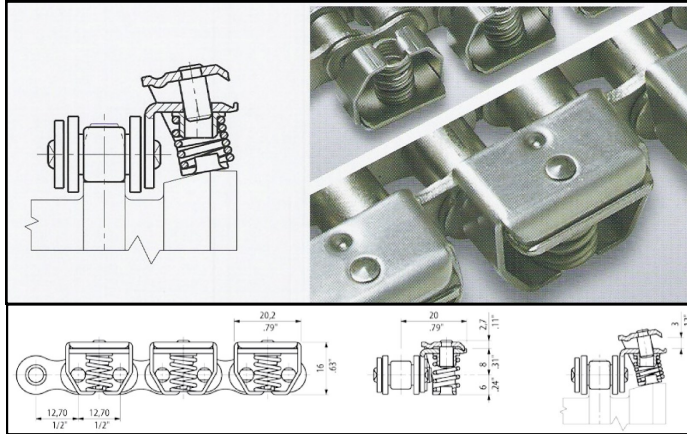
As one of the few remaining UK chain manufacturers we are able to offer a complete range of chains and attachments to suit your requirements. Our range of chains will suit some of the leading manufactures machines

- ILLIG
- Kieifel
- Brown
- OMV
- TFT
- Gabler
- Dinieper
- Irwin

[www.altec.uk.com](http://www.altec.uk.com)



## Altec Gripper Chains



### STANDARD CLAMP TF SERIES

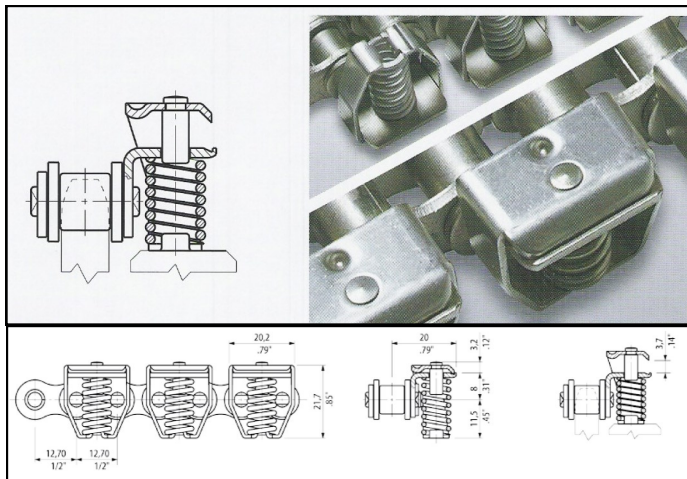
ISO 08B1 (1/2" - 12.7mm) Pitch

Standard and hard spring versions. The standard clamp opens vertically with a slight side movement to follow the cam

Base Chain is available in Carbon steel nickel plated or austenitic stainless steel.

Clamp and springs are both stainless steel

Clamping force is either 50 or 85 Newtons



### LONG CLAMP TFL SERIES

ISO 08B1 (1/2" - 12.7mm) Pitch

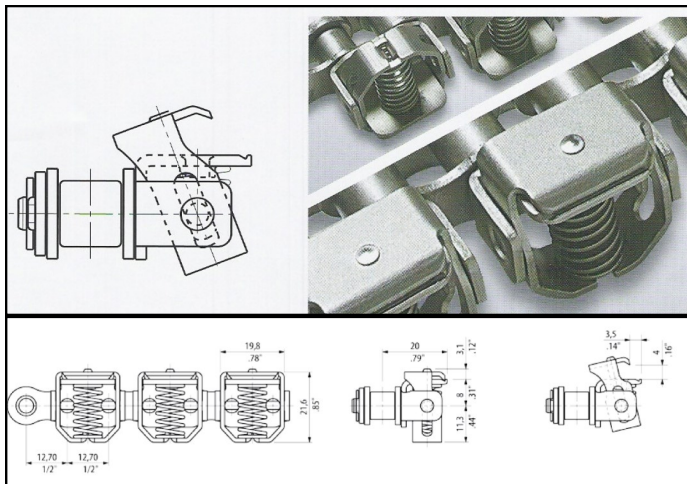
The long clamp allows wider opening and higher clamping force.

Base Chain is available in Carbon steel nickel plated

Clamp is stainless steel

Spring is Carbon steel nickel plated

Clamping force is 80 Newtons



### K STYLE CLAMP TFK SERIES

ISO 08B1 (1/2" - 12.7mm) Pitch

The K style clamp allows a vertical movement combined with side rotation (Kick-back) to ensure easy film engagement and scrap release.

Base Chain is available in Carbon steel nickel plated or austenitic stainless steel.

Clamp and springs are both stainless steel

Clamping force is either 50 or 55 Newtons

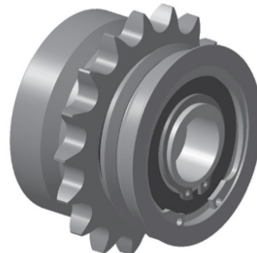
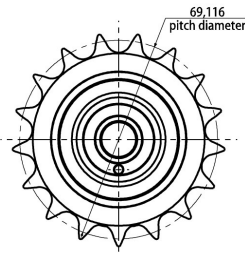
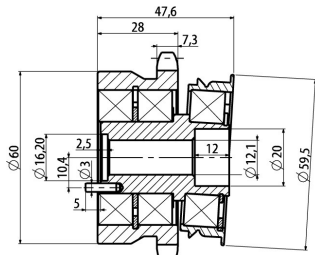




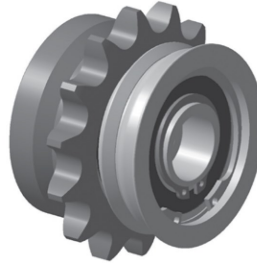
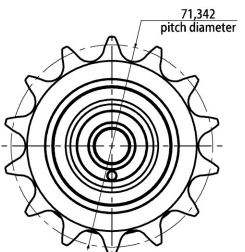
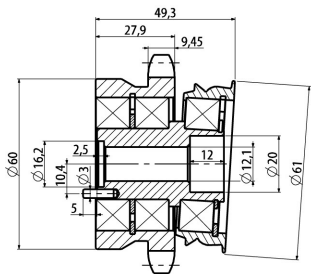
Altec UK Ltd, The Mohawk Building, Gorse Street, Blackburn. BB1 3EU  
T. 0800 756 9669 T.01254 311155 F. 0800 756 9669  
Sales@altec.uk.com

# Altec Gripper Chain Sprockets

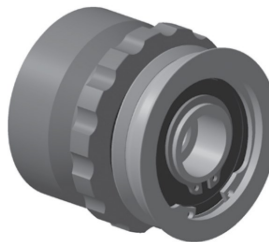
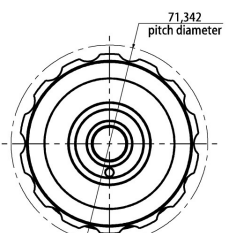
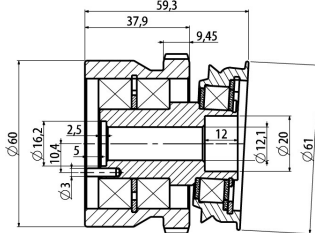
## Sprockets—STOCK ITEMS



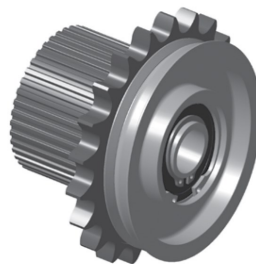
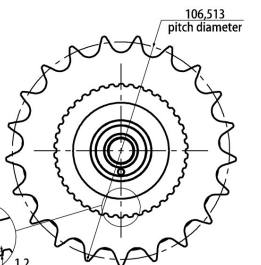
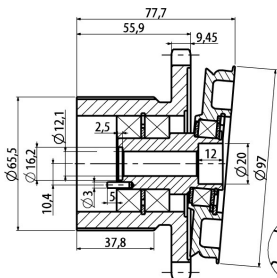
CAM SPROCKET FOR TFK CHAIN  
17 Tooth 1/2" (12.7mm) Pitch



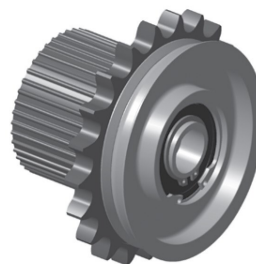
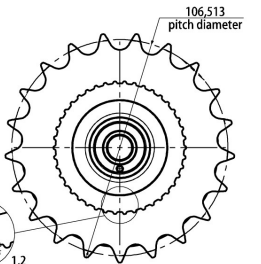
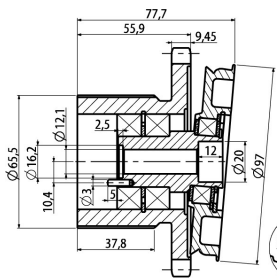
CAM SPROCKET FOR TFK CHAIN  
14 Tooth 5/8" (15.875mm) Pitch



CAM SPROCKET FOR TFK CHAIN  
14 Tooth 5/8" (15.875mm) Pitch  
\*STUB TOOTH\*



CAM SPROCKET FOR TFK CHAIN  
14 Tooth 5/8" (15.875mm) Pitch  
\*BELT TYPE T5\*



CAM SPROCKET FOR TFK CHAIN  
14 Tooth 5/8" (15.875mm) Pitch  
\*BELT TYPE AT5\*

[www.altec.uk.com](http://www.altec.uk.com)