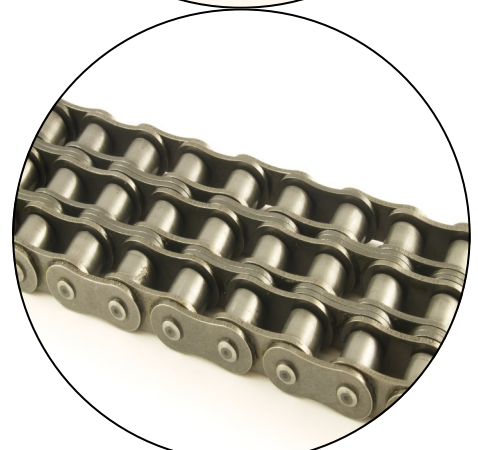
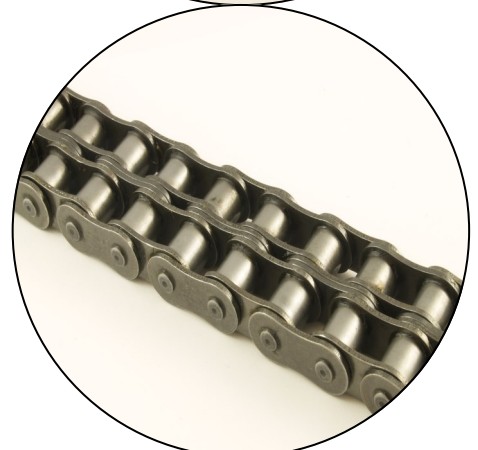


Transmission Chains

Transmission Chains



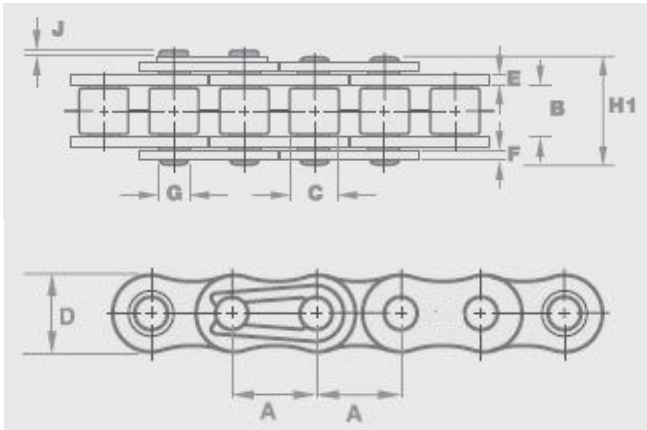
Altec UK Ltd
The Mohawk Building,
Gorse Street
Blackburn
BB1 3EU
T. 0800 756 9669

F. 0800 756 9669



Transmission Chains

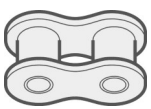
BS Transmission chain ISO 606—Simplex



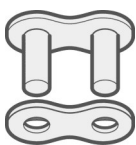
Chain Options

- Pre Lubricated
- Zinc Plated
- Nickel Plated
- Stainless Steel
- Sintered Components
- Polymer bushed
- High Breaking Loads
- Hollow Bearing Pin

Chain Ref	Chain Details														Connecting Links					
ISO Ref	Pitch (Inch)	Pitch (mm)	Inside Width		Roller Diameter	Plate Height	Plate Thickness (Inner)	Plate Thickness (Outer)	Pin Diameter	Pin Length	Conn Link Ext	Transverse Pitch	ISO 606 Tensile (N)	Mass (kg/m)	Inner Link	Rivet Conn	Split Pin Conn	Spring Link Conn	Single Crank	Double Crank
	A	A	MIN	MAX	MAX	MAX	MAX	MAX	MAX	MAX	MAX	Nom	MIN							
			B	C	D	E	F	G	H1	J	K									
05B-1	0.315	8	3	5	7.11	0.76	0.76	2.31	8.6	1.5	-	4400	0.18	?	?	-	?	-	?	
06B-1	0.375	9.525	5.72	6.35	8.2	1.29	1.04	3.28	12.5	1.3	-	8900	0.39	?	?	-	?	-	?	
08B-1	0.5	12.7	7.75	8.51	11.7	1.55	1.55	4.45	16.5	2	-	17800	0.7	?	?	-	?	-	?	
10B-1	0.625	15.88	9.65	10.16	14.6	1.55	1.55	5.08	18.8	2.5	-	22200	0.96	?	?	-	?	-	?	
12B-1	0.75	19.05	11.68	12.07	16	1.81	1.81	5.72	21.9	2.6	-	28900	1.22	?	?	-	?	-	?	
16B-1	1	25.4	17.02	15.88	21.08	4.12	3.1	8.28	34.9	2.2	-	60000	2.8	?	?	-	?	?	-	
20B-1	1.25	31.75	19.56	19.05	26.42	4.62	3.61	10.19	39.8	2.7	-	95000	3.85	?	?	-	?	?	-	
24B-1	1.5	38.1	25.4	25.4	33.4	6.1	5.08	14.63	52.6	6.8	-	160000	7.45	?	?	?	-	?	-	
28B-1	1.75	44.45	30.99	27.94	37.08	7.62	6.35	15.9	64.2	6.8	-	200000	9.35	?	?	?	-	?	-	
32B-1	2	50.8	30.99	29.21	42.29	7.11	6.35	17.81	63.4	8	-	250000	10.1	?	?	?	-	?	-	
40B-1	2.5	63.5	39.3	39.37	52.96	8.13	8.13	22.89	78.2	9.5	-	355000	16.5	?	?	?	-	?	-	



Inner Link



Rivet Conn



Split Pin Conn



Spring Link Conn



Single Crank



Double Crank Link

Call Free 0800 756 9669

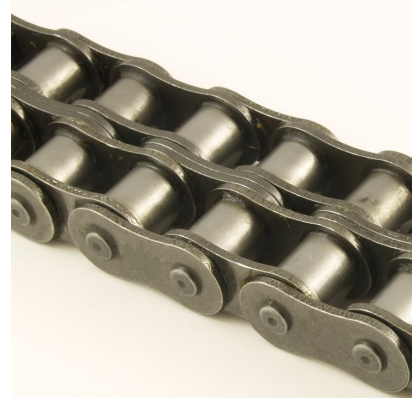
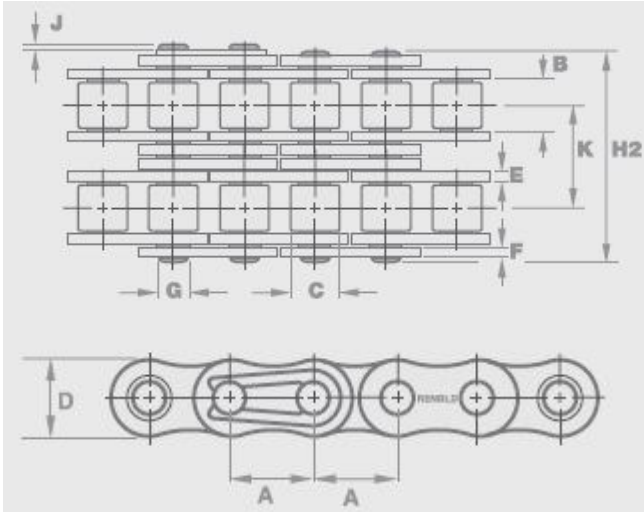


Altec UK Ltd, The Mohawk Building, Gorse Street, Blackburn. BB1 3EU
 T. 0800 756 9669 F. 0800 756 9669
 Sales@altec.uk.com

Transmission Chains & Sprockets

Transmission Chains

BS Transmission chain ISO 606—Duplex



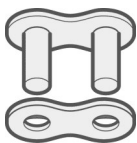
Chain Options

- Pre Lubricated
- Zinc Plated
- Nickel Plated
- Stainless Steel
- Sintered Components
- Polymer bushed

Chain Ref	Chain Details													Connecting Links						
	ISO Ref	Pitch (Inch)	Pitch (mm)	Inside Width	Roller Diameter	Plate Height	Plate Thickness (Inner)	Plate Thickness (Outer)	Pin Diameter	Pin Length	Conn Link Ext	Transverse Pitch	ISO 606 Tensile (N)	Mass (kg/m)	Inner Link	Rivet Conn	Split Pin Conn	Spring Link Conn	Single Crank	Double Crank
	A	A	MIN B	MAX C	MAX D	MAX E	MAX F	MAX G	MAX H2	MAX J	Nom K	MIN								
05B-2	0.315	8	3	5	7.11	0.76	0.76	2.31	14.3	1.5	5.64	7800	0.36	✓	✓	-	✓	-	✓	
06B-2	0.375	9.525	5.72	6.35	8.2	1.29	1.04	3.28	23	1.3	10.24	16900	0.78	✓	✓	-	✓	-	✓	
08B-2	0.5	12.7	7.75	8.51	11.7	1.55	1.55	4.45	30.4	2	13.92	31100	1.38	✓	✓	-	✓	-	✓	
10B-2	0.625	15.88	9.65	10.16	14.6	1.55	1.55	5.08	35.4	2.5	16.59	44500	1.69	✓	✓	-	✓	-	✓	
12B-2	0.75	19.05	11.68	12.07	16	1.81	1.81	5.72	41.4	2.6	19.46	57800	2.42	✓	✓	-	✓	-	✓	
16B-2	1	25.4	17.02	15.88	21.08	4.12	3.1	8.28	66.8	2.2	31.88	106000	5.5	✓	✓	-	✓	✓	-	
20B-2	1.25	31.75	19.56	19.05	26.42	4.62	3.61	10.19	76.7	2.7	36.45	170000	7.8	✓	✓	-	✓	✓	-	
24B-2	1.5	38.1	25.4	25.4	33.4	6.1	5.08	14.63	101.3	6.8	48.36	280000	14.8	✓	✓	✓	-	✓	-	
28B-2	1.75	44.45	30.99	27.94	37.08	7.62	6.35	15.9	123.7	6.8	59.56	360000	18.6	✓	✓	✓	-	✓	-	
32B-2	2	50.8	30.99	29.21	42.29	7.11	6.35	17.81	122	8	58.55	450000	20.1	✓	✓	✓	-	✓	-	
40B-2	2.5	63.5	39.3	39.37	52.96	8.13	8.13	22.89	150.5	9.5	72.29	630000	32.8	✓	✓	✓	-	✓	-	



Inner Link



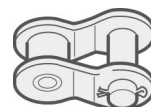
Rivet Conn



Split Pin Conn



Spring Link Conn



Single Crank



Double Crank Link

Call Free 0800 756 9669

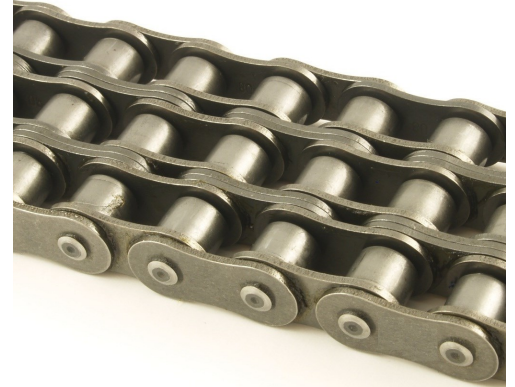
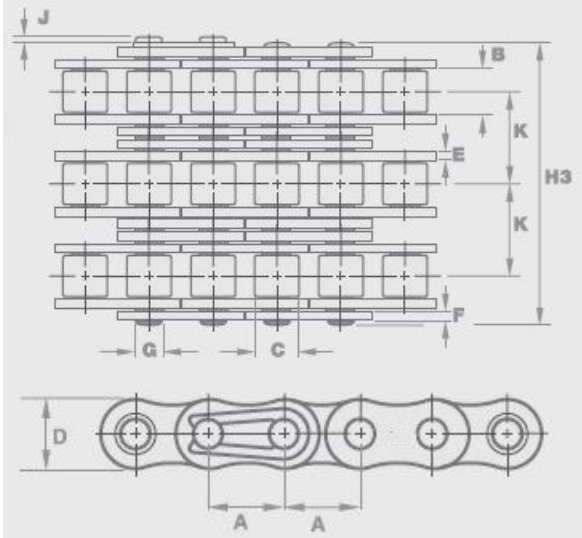


Altec UK Ltd, The Mohawk Building, Gorse Street, Blackburn. BB1 3EU
 T. 0800 756 9669 F. 0800 756 9669
 Sales@altec.uk.com

Transmission Chains & Sprockets

Transmission Chains

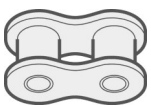
BS Transmission chain ISO 606—Triplex



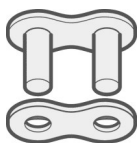
Chain Options

- Pre Lubricated
- Zinc Plated
- Nickel Plated
- Stainless Steel
- Sintered Components
- Polymer bushed

Chain Ref	Chain Details													Connecting Links					
ISO Ref	Pitch (Inch)	Pitch (mm)	Inside Width	Roller Diameter	Plate Height	Plate Thickness (Inner)	Plate Thickness (Outer)	Pin Diameter	Pin Length	Conn Link Ext	Transverse Pitch	ISO 606 Tensile (N)	Mass (kg/m)	Inner Link	Rivet Conn	Split Pin Conn	Spring Link Conn	Single Crank	Double Crank
			MIN	MAX	MAX	MAX	MAX	MAX	MAX	MAX	Nom	MIN							
	A	A	B	C	D	E	F	G	H3	J	K								
05B-3	0.315	8	3	5	7.11	0.76	0.76	2.31	19.9	1.5	5.64	11100	0.54	✓	✓	-	✓	-	✓
06B-3	0.375	9.525	5.72	6.35	8.2	1.29	1.04	3.28	33.3	1.3	10.24	24900	1.11	✓	✓	-	✓	-	✓
08B-3	0.5	12.7	7.75	8.51	11.7	1.55	1.55	4.45	44.3	2	13.92	44500	2.06	✓	✓	-	✓	-	✓
10B-3	0.625	15.88	9.65	10.16	14.6	1.55	1.55	5.08	52	2.5	16.59	66700	2.54	✓	✓	-	✓	-	✓
12B-3	0.75	19.05	11.68	12.07	16	1.81	1.81	5.72	60.9	2.6	19.46	86700	3.59	✓	✓	-	✓	-	✓
16B-3	1	25.4	17.02	15.88	21.08	4.12	3.1	8.28	98.6	2.2	31.88	160000	8.15	✓	✓	-	✓	✓	-
20B-3	1.25	31.75	19.56	19.05	26.42	4.62	3.61	10.19	113.2	2.7	36.45	250000	11.65	✓	✓	-	✓	✓	-
24B-3	1.5	38.1	25.4	25.4	33.4	6.1	5.08	14.63	149.7	6.8	48.36	425000	22.25	✓	✓	✓	-	✓	-
28B-3	1.75	44.45	30.99	27.94	37.08	7.62	6.35	15.9	183.3	6.8	59.56	530000	28	✓	✓	✓	-	✓	-
32B-3	2	50.8	30.99	29.21	42.29	7.11	6.35	17.81	180.5	8	58.55	670000	30	✓	✓	✓	-	✓	-
40B-3	2.5	63.5	39.3	39.37	52.96	8.13	8.13	22.89	222.8	9.5	72.29	950000	48.9	✓	✓	✓	-	✓	-



Inner Link



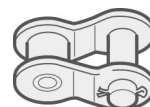
Rivet Conn



Split Pin Conn



Spring Link Conn



Single Crank



Double Crank Link

Call Free 0800 756 9669



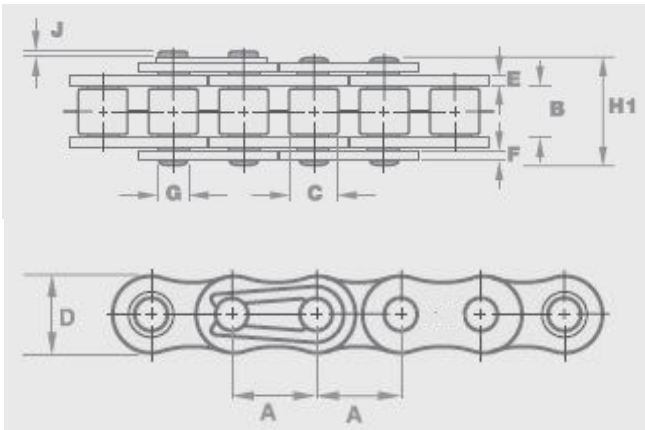
Altec UK Ltd, The Mohawk Building, Gorse Street, Blackburn. BB1 3EU

T. 0800 756 9669 F. 0800 756 9669

Sales@altec.uk.com

Transmission Chains

ANSI Transmission chain ISO 606—Simplex



Chain Options

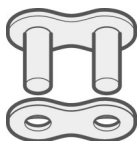
- Pre Lubricated
- Zinc Plated
- Nickel Plated
- Stainless Steel
- Sintered Components
- Polymer bushed

Chain Ref	Chain Details												Connecting Links						
ISO Ref	Pitch (Inch)	Pitch (mm)	Inside Width	Roller Diameter	Plate Height	Plate Thickness (Inner)	Plate Thickness (Outer)	Pin Diameter	Pin Length	Conn Link Ext	Transverse Pitch	ISO 606 Tensile (N)	Mass (kg/m)	Inner Link	Rivet Conn	Split Pin Conn	Spring Link Conn	Single Crank	Double Crank
	A	A	B	C	D	E	F	G	H1	J	K	MIN							
25-1◇	0.25	6.35	3.1	3.3	5.9	0.76	0.76	2.3	7.9	1.2	-	3500	0.12	✓	✓	-	✓	-	-
35-1◇	0.375	9.525	4.68	5.08	8.6	1.29	1.29	3.59	12	1.7	-	7900	0.35	✓	✓	-	✓	-	✓
40-1	0.5	12.7	7.85	7.92	11.2	1.55	1.55	3.97	16.4	2.1	-	13900	0.6	✓	✓	✓	✓	-	✓
41-1	0.5	12.7	6.35	7.77	9.91	1.3	1.3	3.59	14.5	2.1	-	6700	0.42	✓	✓	-	✓	-	✓
50-1	0.625	15.88	9.4	10.16	14.6	2.04	2.04	5.08	20.4	2.7	-	21800	1	✓	✓	✓	✓	-	✓
60-1	0.75	19.05	12.57	11.91	17.5	2.45	2.45	5.94	25.3	2.6	-	31300	1.47	✓	✓	✓	✓	-	✓
80-1	1	25.4	15.75	15.88	24.13	3.25	3.25	7.94	32.7	3	-	55600	2.8	✓	✓	✓	-	✓	✓
100-1	1.25	31.75	18.9	19.05	30.17	4.06	4.06	9.54	39.7	4.2	-	87000	4.2	✓	✓	✓	-	✓	✓
120-1	1.5	38.1	25.23	22.23	36.2	4.8	4.8	11.11	49.3	5.3	-	125000	5.7	✓	✓	✓	-	✓	✓
140-1	1.75	44.45	25.23	25.4	42.23	5.61	5.61	12.71	52.9	5.2	-	170000	7.8	✓	✓	✓	-	✓	✓
160-1	2	50.8	31.55	28.58	48.26	6.35	6.35	14.29	63.1	6.5	-	223000	10.4	✓	✓	✓	-	✓	✓
180-1	2.25	57.15	35.48	35.71	54.3	7.11	7.11	17.46	70.6	7.9	-	281000	13.94	✓	✓	✓	-	✓	-
200-1	2.5	63.5	37.85	39.67	60.33	8.13	8.13	19.85	76.9	9	-	347000	17.3	✓	✓	✓	-	✓	✓
240-1	3	76.2	47.35	47.62	72.39	9.8	9.8	23.8	94.4	10.5	-	500000	25	✓	✓	✓	-	✓	-

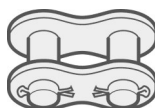
◇ Bush Chain



Inner Link



Rivet Conn



Split Pin Conn



Spring Link Conn



Single Crank



Double Crank Link

Call Free 0800 756 9669

Transmission Chains & Sprockets

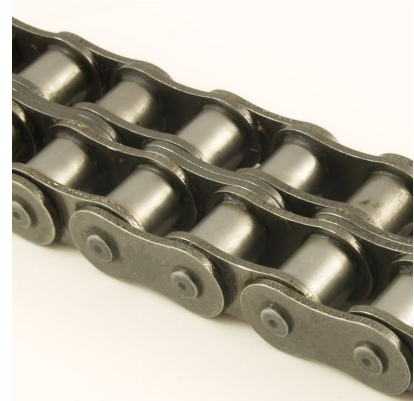
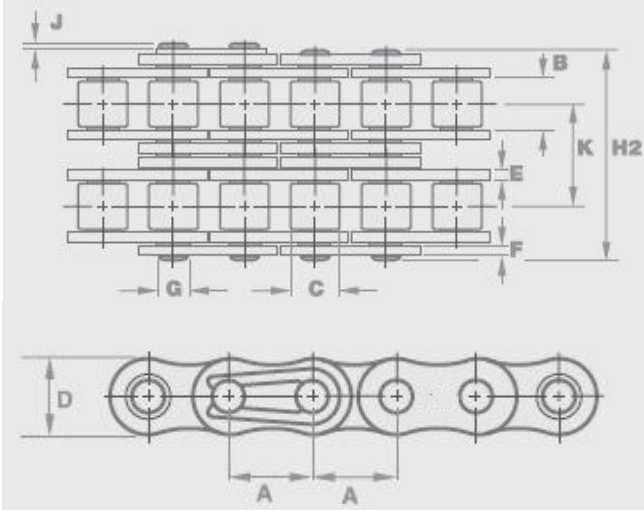


Altec UK Ltd, The Mohawk Building, Gorse Street, Blackburn. BB1 3EU
 T. 0800 756 9669 F. 0800 756 9669
 Sales@altec.uk.com

Transmission Chains & Sprockets

Transmission Chains

ANSI Transmission chain ISO 606—Duplex

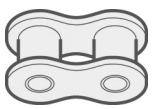


Chain Options

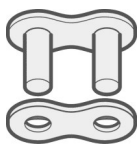
- Pre Lubricated
- Zinc Plated
- Nickel Plated
- Stainless Steel
- Sintered Components
- Polymer bushed

Chain Ref	Chain Details													Connecting Links					
ISO Ref	Pitch (Inch)	Pitch (mm)	Inside Width	Roller Diameter	Plate Height	Plate Thickness (Inner)	Plate Thickness (Outer)	Pin Diameter	Pin Length	Conn Link Ext	Transverse Pitch	ISO 606 Tensile (N)	Mass (kg/m)	Inner Link	Rivet Conn	Split Pin Conn	Spring Link Conn	Single Crank	Double Crank
	A	A	MIN B	MAX C	MAX D	MAX E	MAX F	MAX G	MAX H2	MAX J	Nom K	MIN							
25-2◇	0.25	6.35	3.1	3.3	5.9	0.76	0.76	2.3	14.2	1.2	6.4	7000	0.26	✓	✓	-	✓	-	-
35-2 ◇	0.375	9.525	4.68	5.08	8.6	1.29	1.29	3.59	22.2	1.7	10.13	15800	0.62	✓	✓	-	✓	-	✓
40-2	0.5	12.7	7.85	7.92	11.2	1.55	1.55	3.97	30.8	2.1	14.38	27800	1.2	✓	✓	✓	✓	-	✓
50-2	0.625	15.88	9.4	10.16	14.6	2.04	2.04	5.08	38.4	2.7	18.11	43600	1.98	✓	✓	✓	✓	-	✓
60-2	0.75	19.05	12.57	11.91	17.5	2.45	2.45	5.94	48.1	2.6	22.78	62600	2.91	✓	✓	✓	✓	-	✓
80-2	1	25.4	15.75	15.88	24.13	3.25	3.25	7.94	61.9	3	29.29	111200	5.5	✓	✓	✓	-	✓	✓
100-2	1.25	31.75	18.9	19.05	30.17	4.06	4.06	9.54	75.4	4.2	35.76	174000	8.4	✓	✓	✓	-	✓	✓
120-2	1.5	38.1	25.23	22.23	36.2	4.8	4.8	11.11	94.7	5.3	45.44	250000	11	✓	✓	✓	-	✓	✓
140-2	1.75	44.45	25.23	25.4	42.23	5.61	5.61	12.71	101.8	5.2	48.87	340000	15.5	✓	✓	✓	-	✓	✓
160-2	2	50.8	31.55	28.58	48.26	6.35	6.35	14.29	121.6	6.5	58.55	446000	20.6	✓	✓	✓	-	✓	✓
180-2	2.25	57.15	35.48	35.71	54.3	7.11	7.11	17.46	136.5	7.9	65.84	562000	27.72	✓	✓	✓	-	✓	-
200-2	2.5	63.5	37.85	39.67	60.33	8.13	8.13	19.85	148.5	9	71.55	694000	34.4	✓	✓	✓	-	✓	✓
240-2	3	76.2	47.35	47.62	72.39	9.8	9.8	23.8	182.2	10.5	87.8	1000000	50	✓	✓	✓	-	✓	-

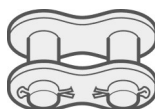
◇ Bush Chain



Inner Link



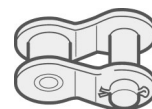
Rivet Conn



Split Pin Conn



Spring Link Conn



Single Crank



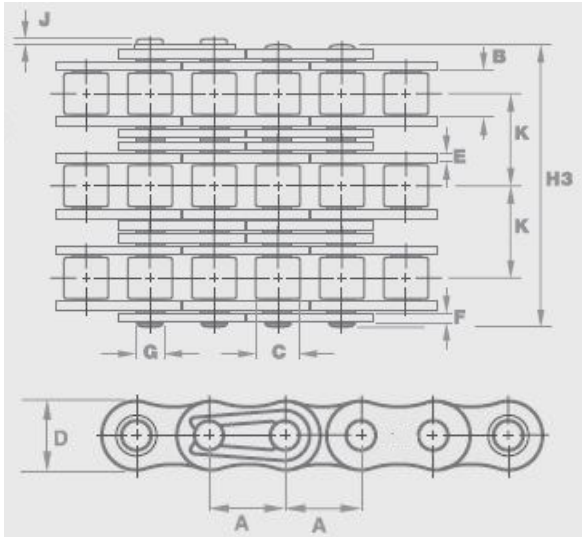
Double Crank Link

Call Free 0800 756 9669



Transmission Chains

ANSI Transmission chain ISO 606— Triplex



Chain Options

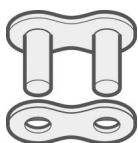
- Pre Lubricated
- Zinc Plated
- Nickel Plated
- Stainless Steel
- Sintered Components
- Polymer bushed

Chain Ref	Chain Details													Connecting Links								
	ISO Ref	Pitch (Inch)	Pitch (mm)	Inside Width		Roller Diameter	Plate Height	Plate Thickness (Inner)	Plate Thickness (Outer)	Pin Diameter	Pin Length	Conn Link Ext	Transverse Pitch	ISO 606 Tensile (N)		Mass (kg/m)	Inner Link	Rivet Conn	Split Pin Conn	Spring Link Conn	Single Crank	Double Crank
				MIN	MAX	MAX	MAX	MAX	MAX	MAX	MAX	MAX	MAX	Nom	MIN							
A	A	B	C	D	E	F	G	H1	J	K												
25-3 ◊	0.25	6.35	3.1	3.3	5.9	0.76	0.76	2.3	20.8	1.2	6.4	10500	0.39	✓	✓	-	✓	-	-			
35-3 ◊	0.375	9.525	4.68	5.08	8.6	1.29	1.29	3.59	32.2	1.7	10.13	23700	0.93	✓	✓	-	✓	-	-		✓	
40-3	0.5	12.7	7.85	7.92	11.2	1.55	1.55	3.97	45.1	2.1	14.38	41700	1.8	✓	✓	✓	✓	-	-		✓	
50-3	0.625	15.88	9.4	10.16	14.6	2.04	2.04	5.08	56.5	2.7	18.11	65400	2.96	✓	✓	✓	✓	-	-		✓	
60-3	0.75	19.05	12.57	11.91	17.5	2.45	2.45	5.94	70.9	2.6	22.78	93900	4.38	✓	✓	✓	✓	-	-		✓	
80-3	1	25.4	15.75	15.88	24.13	3.25	3.25	7.94	91.2	3	29.29	166800	8.3	✓	✓	✓	-	-		-	✓	
100-3	1.25	31.75	18.9	19.05	30.17	4.06	4.06	9.54	111.2	4.2	35.76	261000	12.6	✓	✓	✓	-	-		-	✓	
120-3	1.5	38.1	25.23	22.23	36.2	4.8	4.8	11.11	140.2	5.3	45.44	375000	16.7	✓	✓	✓	-	-		-	✓	
140-3	1.75	44.45	25.23	25.4	42.23	5.61	5.61	12.71	150.7	5.2	48.87	510000	23.1	✓	✓	✓	-	-		-	✓	
160-3	2	50.8	31.55	28.58	48.26	6.35	6.35	14.29	180.2	6.5	58.55	669000	31	✓	✓	✓	-	-		-	✓	
180-3	2.25	57.15	35.48	35.71	54.3	7.11	7.11	17.46	202.3	7.9	65.84	843000	41.5	✓	✓	✓	-	-		-	-	
200-3	2.5	63.5	37.85	39.67	60.33	8.13	8.13	19.85	229	9	71.55	1041000	51.2	✓	✓	✓	-	-		-	✓	
240-3	3	76.2	47.35	47.62	72.39	9.8	9.8	23.8	270.1	10.5	87.8	1500000	75	✓	✓	✓	-	-		✓	-	

◊ Bush Chain



Inner Link



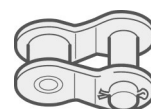
Rivet Conn



Split Pin Conn



Spring Link Conn



Single Crank



Double Crank Link

Call Free 0800 756 9669

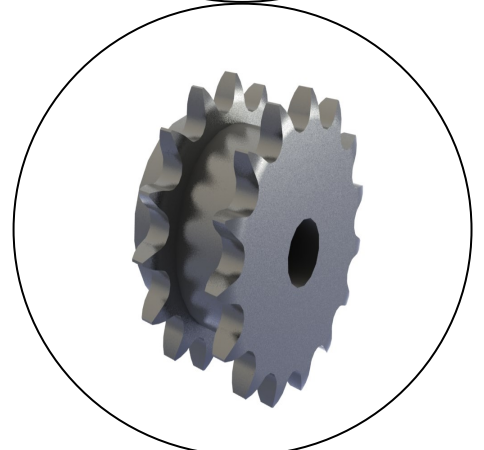
Transmission Chains



Conveyor Chains



Sprockets and Gears



Special Chain Designs



Altec UK Ltd, The Mohawk Building, Gorse Street, Blackburn. BB1 3EU
T. 0800 756 9669 F. 0800 756 9669
Sales@altec.uk.com