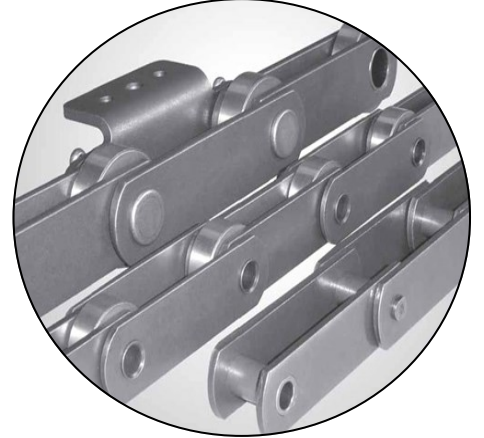
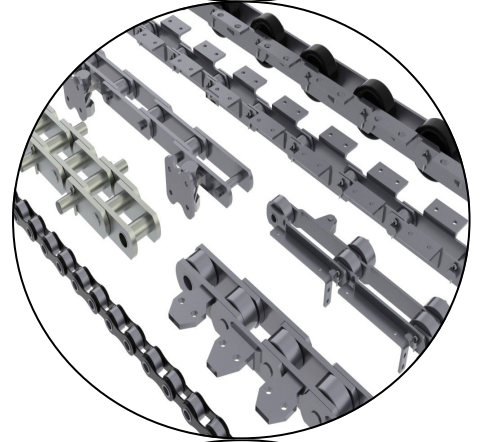
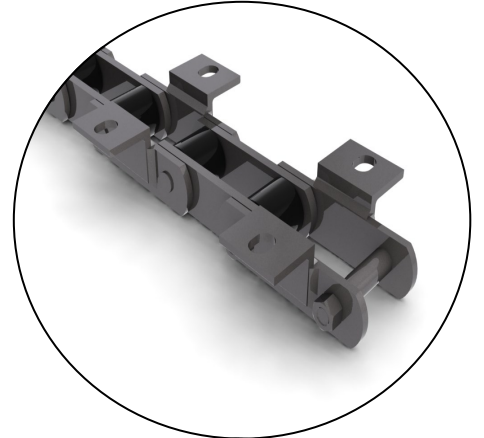


Conveyor Chains

# Conveyor Chains

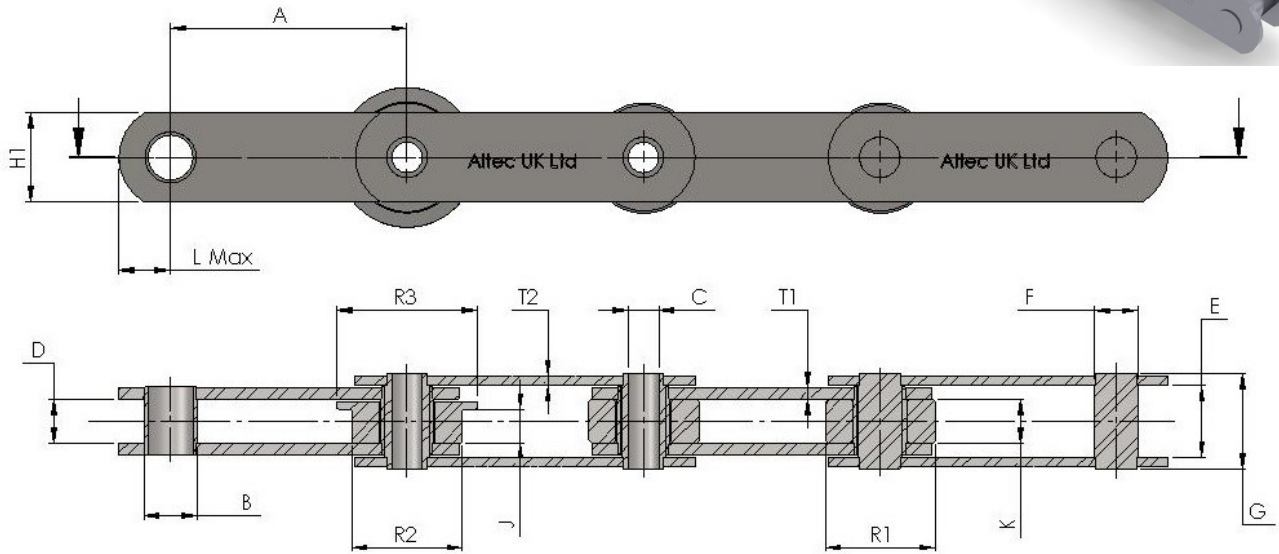


Altec UK Ltd  
The Mohawk Building,  
Gorse Street  
Blackburn



# Conveyor Chains Standard

British Standard — BS4116 Part 4



Conveyor Chains & Sprockets

Chain Ref		Chain Details																			
Breaking Load lb/f	Breaking Load Newtons	British Standard Ref No	Pitch (inch)	Pitch (inch)	Pitch (mm)	Pitch (mm)	Bush Diameter	Hollow Pin Bore	Inside Width (Inner)	Inside Width (Outer)	Pin Diameter	Pin Length	Plate Height	Flanged Roller Tread Width	Roller Width	Link Extension	Link Thickness (Inner)	Link Thickness (Outer)	Roller Diameter	Tread Diameter	Flange Diameter
MIN	MIN		MIN	MAX	MIN	MAX	MIN	MIN	MIN	MIN	MAX	MAX	Nom	Nom	Nom	Max	Nom	Nom	Nom	Nom	Nom
			A	A	A	A	B	C	D	E	F	G	H1	J	K	L	T1	T1	R1	R2	R3
3000 ◊	13000	1S013	1	1.5	25.4	114	8.6	-	11.7	16	5.7	21.8	18	-	-	11.4	1.8	1.8	12.1	-	-
3000	13000	1S013	1.5	4.5	25.4	114	8.6	-	11.7	16	5.7	21.8	18	-	-	11.4	1.8	1.8	25.4	-	-
4500 ◻	20000	2H020	1.5	3	38.1	76.2	12.1	6.6	12.7	17.8	9.5	24.6	19.1	-	-	11.4	2.3	1.8	25.4	-	-
6000 ◻	27000	3H027	1.5	6	38.1	152	18	10.1	15	25.4	14	36.5	25.4	11	14	15	3.8	3.8	31.8	31.8	41.3
7500	33000	3S033	1.5	6	38.1	152	18	-	15	25.4	14	38	25.4	11	14	15	3.8	3.8	31.8	31.8	41.3
12000 ◻	54000	4H054	2	9	50.8	229	23.6	13.2	19	32.5	19	44	38.1	14	17.8	22.1	5.1	3.8	47.6	47.6	60
15000	67000	4S067	2	9	50.8	229	23.6	-	19	32.5	19	46	38.1	14	14.8	22.1	5.1	3.8	47.6	47.6	60
24000 ◻	107000	5H107	3.5	12	88.9	305	33.2	20.1	25.4	43	26.9	57	51	17.7	24	29.7	7.1	5.1	66.7	66.7	85.7
30000	134000	5S134	3.5	12	88.9	305	33.2	-	25.4	43	26.9	60	51	17.7	24	29.7	7.1	5.1	66.7	66.7	85.7
36000 ◻	160000	6H160	5	18	127	457	38.1	23.1	38.1	59	31.8	79.5	61	28.9	36.8	34.8	8.9	7.6	88.9	88.9	114
45000	200000	6S200	5	18	127	457	38.1	-	38.1	59	31.8	82	61	28.9	36.8	34.8	8.9	7.6	88.9	88.9	114
60000	267000	7S267	6	18	152	457	38.1	-	38.1	59	23	80	61	38.9	36.8	34.8	8.9	7.6	88.9	88.9	114
90000	400000	8S400	6	24	152	610	38.1	-	38.1	66.3	29.4	94	63.5	28.9	36.8	35.8	13	10	88.9	88.9	114

◊ Small Roller Chain ◻ Hollow Pin Chains

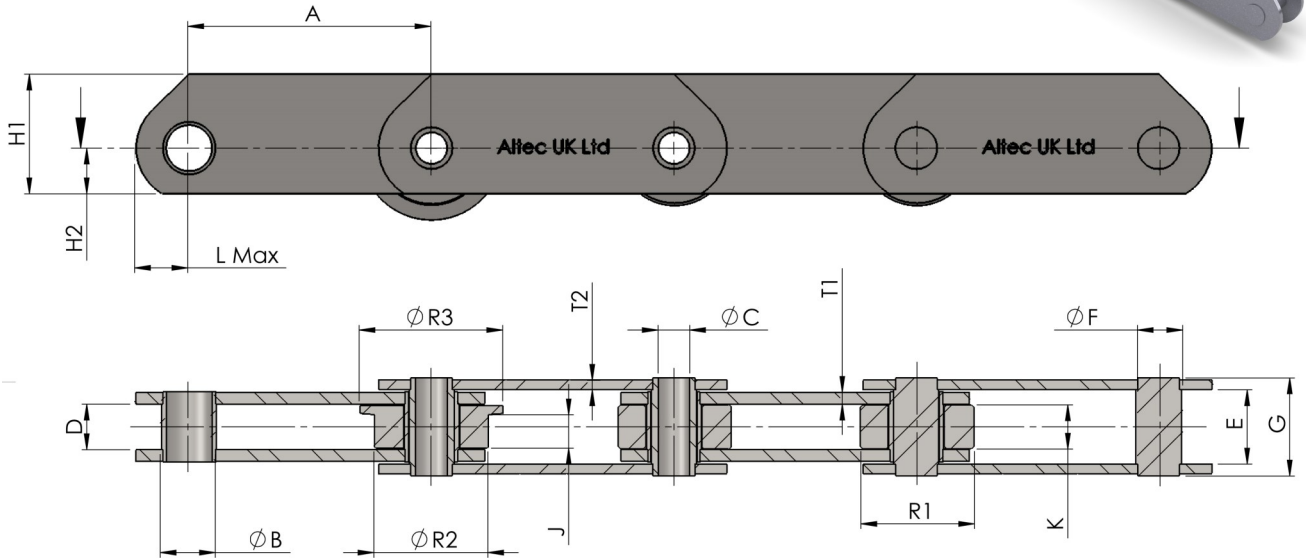
† All sizes are subject to change without notice

Call Free 0800 756 9669



# Conveyor Chains Deep Link

British Standard — BS4116 Part 4



Conveyor Chains & Sprockets

Chain Ref			Chain Details																			
Breaking Load lb/f	Breaking Load Newtons	British Standard Ref No	Pitch (Inch)	Pitch (Inch)	Pitch (mm)	Pitch (mm)	Bush Diameter	Hollow Pin Bore	Inside Width (Inner)	Inside Width (Outer)	Pin Diameter	Pin Length	Plate Height	Offset Height	Flanged Roller Tread Width	Roller Width	Link Extension	Link Thickness (Inner)	Link Thickness (Outer)	Roller Diameter	Tread Diameter	Flange Diameter
MIN	MIN		MIN	MAX	MIN	MAX	MIN	MIN	MIN	MIN	MAX	MAX	Nom	Nom	Nom	Nom	Max	Nom	Nom	Nom	Nom	Nom
			A	A	A	A	B	C	D	E	F	G	H1	H2	J	K	L	T1	T1	R1	R2	R3
3000 ◊	13000	1S013	1	15	25.4	38.1	8.6	-	11.7	16	5.7	21.8	25	9	-	-	11.4	1.8	1.8	12.1	-	-
3000	13000	1S013	1.5	4.5	25.4	114.3	8.6	-	11.7	16	5.7	21.8	25	9	-	-	11.4	1.8	1.8	25.4	-	-
4500 ◻	20000	2H020	1.5	3	38.1	76.2	12.1	6.6	12.7	17.8	9.5	24.6	30	10	-	-	11.4	2.3	1.8	25.4	-	-
6000 ◻	27000	3H027	1.5	6	38.1	152.4	18	10.1	15	25.4	14	36.5	40	12.7	11	14	15	3.8	3.8	31.8	31.8	41.3
7500	33000	3S033	1.5	6	38.1	152.4	18	-	15	25.4	14	38	40	12.7	11	14	15	3.8	3.8	31.8	31.8	41.3
12000 ◻	54000	4H054	2	9	50.8	228.6	23.6	13.2	19	32.5	19	44	50	19	14	17.8	22.1	5.1	3.8	47.6	47.6	60
15000	67000	4S067	2	9	50.8	228.6	23.6	-	19	32.5	19	46	50	19	14	14.8	22.1	5.1	3.8	47.6	47.6	60
24000 ◻	107000	5H107	3.5	12	88.9	304.8	33.2	20.1	25.4	43	26.9	57	70	25	17.7	24	29.7	7.1	5.1	66.7	66.7	85.7
30000	134000	5S134	3.5	12	88.9	304.8	33.2	-	25.4	43	26.9	60	70	25	17.7	24	29.7	7.1	5.1	66.7	66.7	85.7
36000 ◻	160000	6H160	5	18	127	457.2	38.1	23.1	38.1	59	31.8	79.5	90	30	28.9	36.8	34.8	8.9	7.6	88.9	88.9	114.3
45000	200000	6S200	5	18	127	457.2	38.1	-	38.1	59	31.8	82	90	30	28.9	36.8	34.8	8.9	7.6	88.9	88.9	114.3
60000	267000	7S267	6	18	152	457.2	38.1	-	38.1	59	23	80	90	30	38.9	36.8	34.8	8.9	7.6	88.9	88.9	114.3
90000	400000	8S400	6	24	152	609.6	38.1	-	38.1	66.3	29.4	94	90	30	28.9	36.8	35.8	13	10	88.9	88.9	114.3

◊ Small Roller Chain ◻ Hollow Pin Chains

† All sizes are subject to change without notice

Call Free 0800 756 9669



# Standard Conveyor Chain Mass

## British Standard — BS4116 Part 4

Conveyor Chains & Sprockets

Pitch Inch	Pitch mm	Roller Chain No Ref Standard Chain	Mass Kg/m	Roller Chain Ref No Deep Link Chain	Mass Kg/m
<b>3000 lbf, 13000 Newtons Breaking Load -Solid Pin</b>					
1	25.4	100302/15	1.33	200302/15	1.62
1.5	38.1	100303/15	1.77	200303/15	2.03
2	50.8	100304/15	1.46	200304/15	1.7
2.5	63.5	100305/15	1.28	200305/15	1.52
3	76.2	100306/15	1.15	200306/15	1.37
3.5	88.9	100307/15	1.06	200307/15	1.28
4	101.6	100308/15	1	200308/15	1.22
4.5	114.3	100309/15	0.95	200309/15	1.18
<b>4500 lbf, 20000 Newtons Breaking Load -Hollow Pin</b>					
1.5	38.1	100403/15	2		
2	50.8	100404/15	1.65		
2.5	63.5	100405/15	1.46		
3	76.2	100406/15	1.34		
<b>6000 lbf, 27000 Newtons Breaking Load -Hollow Pin</b>					
1.5	38.1	100603/7	2.94	200603/7	4.02
2	50.8	100604/15	3.5	200604/15	4.52
2.5	63.5	100605/15	3.13	200605/15	4.1
3	76.2	100606/15	2.88	200606/15	3.83
3.5	88.9	100607/15	2.71	200607/15	3.63
4	101.6	100608/15	2.58	200608/15	3.49
4.5	114.3	100609/15	2.47	200609/15	3.36
5	127	100610/15	2.39	200610/15	3.27
6	152.4	100612/15	2.27	200612/15	3.14
<b>7500 lbf, 33000 Newtons Breaking Load -Solid Pin</b>					
1.5	38.1	100703/7	3.54	200703/7	4.62
2	50.8	100704/15	3.95	200704/15	4.97
2.5	63.5	100705/15	3.49	200705/15	4.46
3	76.2	100706/15	3.19	200706/15	4.14
3.5	88.9	100707/15	2.97	200707/15	3.89
4	101.6	100708/15	2.8	200708/15	3.71
4.5	114.3	100709/15	2.67	200709/15	3.56
5	127	100710/15	2.57	200710/15	3.45
6	152.4	100712/15		200712/15	
<b>12000 lbf, 54000 Newtons Breaking Load -Hollow Pin</b>					
2	50.8	101204/7	5.23	201204/7	6.25
3	76.2	101206/15	6.93	201206/15	7.9
3.5	88.9	101207/15	6.35	201207/15	7.3
4	101.6	101208/15	5.91	201208/15	6.85
4.5	114.3	101209/15	5.57	201209/15	6.5
5	127	101210/15	5.3	201210/15	6.22
6	152.4	101212/15	4.89	201212/15	5.8
7	177.8	101214/15	4.6	201214/15	5.5
8	203.2	101216/15	4.39	201216/15	5.28
9	228.6	101218/15	4.21	201218/15	5.1
<b>15000 lbf, 67000 Newtons Breaking Load -Solid Pin</b>					
2	50.8	101504/7	6.28	201504/7	7.31
3	76.2	101506/15	7.62	201506/15	8.59
3.5	88.9	101507/15	6.95	201507/15	7.9
4	101.6	101508/15	6.43	201508/15	7.37
4.5	114.3	101509/15	6.03	201509/15	6.96
5	127	101510/15	5.72	201510/15	6.64
6	152.4	101512/15	5.24	201512/15	6.15
7	177.8	101514/15	4.9	201514/15	5.8
8	203.2	101516/15	4.65	201516/15	5.54

Pitch Inch	Pitch mm	Roller Chain No Ref Standard Chain	Mass Kg/m	Roller Chain Ref No Deep Link Chain	Mass Kg/m
<b>24000 lbf, 107000 Newtons Breaking Load -Hollow Pin</b>					
4	101.6	102408/15	12.74	202408/15	14.86
5	127	102410/15	11.21	202410/15	13.26
6	152.4	102412/15	10.91	202412/15	12.91
7	177.8	102414/15	9.46	202414/15	11.42
8	203.2	102416/15	8.92	202416/15	10.86
9	228.6	102418/15	8.5	202418/15	10.42
12	304.8	102424/15	7.65	202424/15	9.52
<b>30000 lbf, 134000 Newtons Breaking Load -Solid Pin</b>					
4	101.6	103008/15	14.22	203008/15	16.34
5	127	103010/15	12.4	203010/15	14.45
6	152.4	103012/15	11.18	203012/15	13.18
7	177.8	103014/15	10.31	203014/15	12.27
8	203.2	103016/15	9.66	203016/15	11.6
9	228.6	103018/15	9.16	203018/15	11.08
12	304.8	103024/15	8.14	203024/15	10.01
<b>36000 lbf, 160000 Newtons Breaking Load -Hollow Pin</b>					
5	127	103610/15	24.97		
6	152.4	103612/15	22.18		
7	177.8	103614/15	20.18		
7.5	190.5	103615/15	19.4		
8	203.2	103616/15	18.68		
9	228.6	103618/15	17.52		
12	304.8	103624/15	15.19		
15	381	103630/15	13.79		
18	457.2	103636/15	12.86		
<b>45000 lbf, 200000 Newtons Breaking Load -Solid Pin</b>					
5	127	104510/15	27.34		
6	152.4	104512/15	24.15		
7	177.8	104514/15	21.87		
7.5	190.5	104515/15	20.98		
8	203.2	104516/15	20.15		
9	228.6	104518/15	18.83		
12	304.8	104524/15	16.17		
15	381	104530/15	14.58		
18	457.2	104536/15	13.52		
<b>60000 lbf, 267000 Newtons Breaking Load -Solid Pin</b>					
6	152.4	106012/15	23.38		
7	177.8	106014/15	21.64		
8	203.2	106016/15	19.96		
9	228.6	106018/15	18.66		
12	304.8	106024/15	16.04		
15	381	106030/15	14.47		
18	457.2	106036/15	13.43		
<b>90000 lbf, 400000 Newtons Breaking Load -Solid Pin</b>					
6	152.4	109012/15	29.09		
9	228.6	109018/15	23.36		
12	304.8	109024/15	20.5		
15	381	109030/15	18.78		
18	457.2	109036/15	17.63		
24	609.6	109048/15	16.19		

Call Free 0800 756 9669



# Conveyor Chains Cross Reference

## British Standard — BS4116 Part 4

Conveyor Chains & Sprockets

Pitch Inch	Pitch mm	Altec Ref No Standard Chain	Renold Ref No	Altec Ref No Deep Link Chain	Renold Ref No
<b>3000 lbf, 13000 Newtons Breaking Load - Solid Pin</b>					
1	25.4	100302/15	140048/12	200302/15	167048/12
1.5	38.1	100303/15	140068/56	200303/15	167068/56
2	50.8	100304/15	140088/56	200304/15	167088/56
2.5	63.5	100305/15	140108/56	200305/15	167108/56
3	76.2	100306/15	140128/56	200306/15	167128/56
3.5	88.9	100307/15	140148/56	200307/15	167148/56
4	101.6	100308/15	140168/56	200308/15	167168/56
4.5	114.3	100309/15	140188/56	200309/15	167188/56
<b>4500 lbf, 20000 Newtons Breaking Load - Hollow Pin</b>					
1.5	38.1	100403/15	198028		
2	50.8	100404/15	198030		
2.5	63.5	100405/15	198033		
3	76.2	100406/15	198039		
<b>6000 lbf, 27000 Newtons Breaking Load - Hollow Pin</b>					
1.5	38.1	100603/7	105060/03	200603/7	107060/03
2	50.8	100604/15	105080/12	200604/15	107080/12
2.5	63.5	100605/15	105100/12	200605/15	107100/12
3	76.2	100606/15	105120/12	200606/15	107120/12
3.5	88.9	100607/15	105140/12	200607/15	107140/12
4	101.6	100608/15	105160/12	200608/15	107160/12
4.5	114.3	100609/15	105180/12	200609/15	107180/12
5	127	100610/15	105200/12	200610/15	107200/12
6	152.4	100612/15	105240/12	200612/15	107240/12
<b>7500 lbf, 33000 Newtons Breaking Load - Solid Pin</b>					
1.5	38.1	100703/7	145060/03	200703/7	107060/03
2	50.8	100704/15	145080/12	200704/15	107080/12
2.5	63.5	100705/15	145100/12	200705/15	107100/12
3	76.2	100706/15	145120/12	200706/15	107120/12
3.5	88.9	100707/15	145140/12	200707/15	107140/12
4	101.6	100708/15	145160/12	200708/15	107160/12
4.5	114.3	100709/15	145180/12	200709/15	107180/12
5	127	100710/15	145200/12	200710/15	107200/12
6	152.4	100712/15	145240/12	200712/15	107240/12
<b>12000 lbf, 54000 Newtons Breaking Load - Hollow Pin</b>					
2	50.8	101204/7	105081/03	201204/7	107081/03
3	76.2	101206/15	105121/12	201206/15	107121/12
3.5	88.9	101207/15	105141/12	201207/15	107141/12
4	101.6	101208/15	105161/12	201208/15	107161/12
4.5	114.3	101209/15	105181/12	201209/15	107181/12
5	127	101210/15	105201/12	201210/15	107201/12
6	152.4	101212/15	105241/12	201212/15	107241/12
7	177.8	101214/15	105281/12	201214/15	107281/12
8	203.2	101216/15	105321/12	201216/15	107321/12
9	228.6	101218/15	105361/12	201218/15	107361/12
<b>15000 lbf, 67000 Newtons Breaking Load - Solid Pin</b>					
2	50.8	101504/7	145081/03	201504/7	167081/03
3	76.2	101506/15	145121/12	201506/15	167121/12
3.5	88.9	101507/15	145141/12	201507/15	167141/12
4	101.6	101508/15	145161/12	201508/15	167161/12
4.5	114.3	101509/15	145181/12	201509/15	167181/12
5	127	101510/15	145201/12	201510/15	167201/12
6	152.4	101512/15	145241/12	201512/15	167241/12
7	177.8	101514/15	145281/12	201514/15	167271/12
8	203.2	101516/15	145321/12	201516/15	167321/12
9	228.6	101518/15	145361/12	201518/15	167361/12

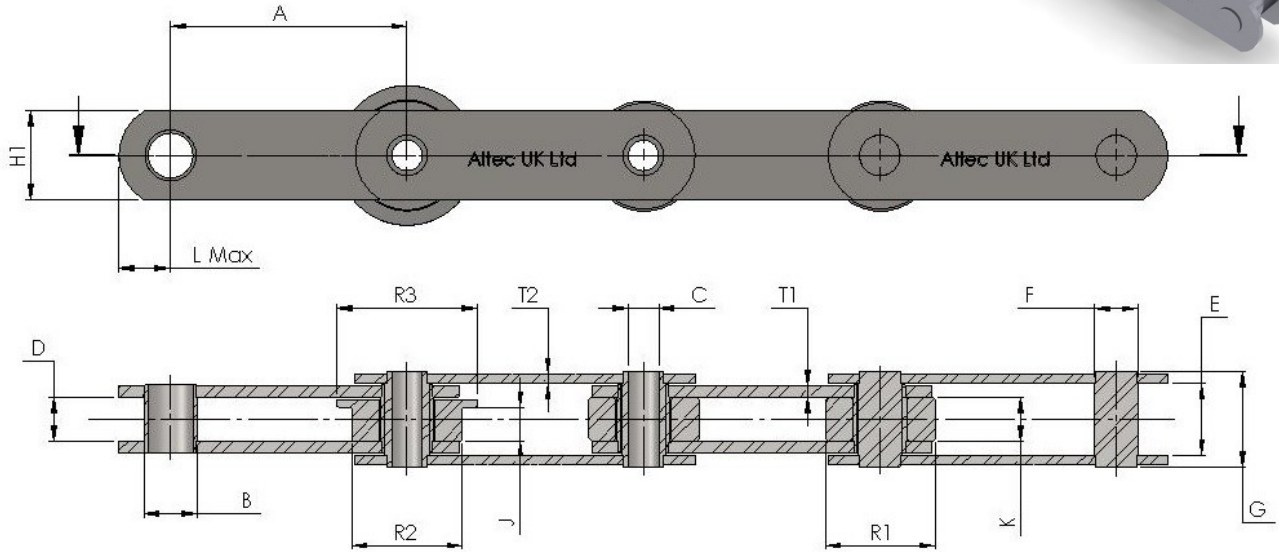
Pitch Inch	Pitch mm	Altec Ref No Standard Chain	Renold Ref No	Altec Ref No Deep Link Chain	Renold Ref No
<b>24000 lbf, 107000 Newtons Breaking Load - Hollow Pin</b>					
4	101.6	102408/15	105162/12	202408/15	107162/12
5	127	102410/15	105202/12	202410/15	107202/12
6	152.4	102412/15	105242/12	202412/15	107242/12
7	177.8	102414/15	105282/12	202414/15	107282/12
8	203.2	102416/15	105322/12	202416/15	107322/12
9	228.6	102418/15	105362/12	202418/15	107362/12
12	304.8	102424/15	105482/12	202424/15	107482/12
<b>30000 lbf, 134000 Newtons Breaking Load - Solid Pin</b>					
4	101.6	103008/15	145162/12	203008/15	167162/12
5	127	103010/15	145202/12	203010/15	167202/12
6	152.4	103012/15	145242/12	203012/15	167242/12
7	177.8	103014/15	145282/12	203014/15	167282/12
8	203.2	103016/15	145322/12	203016/15	167322/12
9	228.6	103018/15	145362/12	203018/15	167362/12
12	304.8	103024/15	145482/12	203024/15	167482/12
<b>36000 lbf, 160000 Newtons Breaking Load - Hollow Pin</b>					
5	127	103610/15	105203/12		
6	152.4	103612/15	105243/12		
7	177.8	103614/15	105283/12		
7.5	190.5	103615/15	105303/12		
8	203.2	103616/15	105323/12		
9	228.6	103618/15	105363/12		
12	304.8	103624/15	105483/12		
15	381	103630/15	105603/12		
18	457.2	103636/15	105723/12		
<b>45000 lbf, 200000 Newtons Breaking Load - Solid Pin</b>					
5	127	104510/15	145203/12		
6	152.4	104512/15	145243/12		
7	177.8	104514/15	145283/12		
7.5	190.5	104515/15	145303/12		
8	203.2	104516/15	145323/12		
9	228.6	104518/15	145363/12		
12	304.8	104524/15	145483/12		
15	381	104530/15	145603/12		
18	457.2	104536/15	145723/12		
<b>60000 lbf, 267000 Newtons Breaking Load - Solid Pin</b>					
6	152.4	106012/15	145245/12		
7	177.8	106014/15	145285/12		
8	203.2	106016/15	145325/12		
9	228.6	106018/15	145365/12		
12	304.8	106024/15	145485/12		
15	381	106030/15	145605/12		
18	457.2	106036/15	145725/12		
<b>90000 lbf, 400000 Newtons Breaking Load - Solid Pin</b>					
6	152.4	109012/15	145247/12		
9	228.6	109018/15	145367/12		
12	304.8	109024/15	145487/12		
15	381	109030/15	145607/12		
18	457.2	109036/15	145727/12		
24	609.6	109048/15	145967/12		

Call Free 0800 756 9669



# Conveyor Chains Enhanced

British Standard — BS4116 Part 4



Conveyor Chains & Sprockets

Chain Ref			Chain Details																		
Breaking Load lb/f	Breaking Load Newtons	Altec Ref No	Pitch (Inch)	Pitch (Inch)	Pitch (mm)	Pitch (mm)	Bush Diameter	Hollow Pin Bore	Inside Width (Inner)	Inside Width (Outer)	Pin Diameter	Pin Length	Plate Height	Flanged Roller Tread Width	Roller Width	Link Extension	Link Thickness (Inner)	Link Thickness (Outer)	Roller Diameter	Tread Diameter	Flange Diameter
MIN	MIN		MIN	MAX	MIN	MAX	MIN	MIN	MIN	MIN	MAX	MAX	Nom	Nom	Nom	Max	Nom	Nom	Nom	Nom	Nom
			A	A	A	A	B	C	D	E	F	G	H1	J	K	L	T1	T1	R1	R2	R3
12000 <input type="checkbox"/>	54000	301200	1.5	6	38.1	152	18	10.1	15	25.4	14	36.5	25.4	11	14	15	3.8	3.8	31.8	31.8	41.3
15000	67000	301500	1.5	6	38.1	152	18	-	15	25.4	14	38	25.4	11	14	15	3.8	3.8	31.8	31.8	41.3
24000 <input type="checkbox"/>	107000	302400	2	9	50.8	229	23.6	13.2	19	32.5	19	44	38.1	14	17.8	22.1	5.1	3.8	47.6	47.6	60
30000	134000	303000	2	9	50.8	229	23.6	-	19	32.5	19	46	38.1	14	14.8	22.1	5.1	3.8	47.6	47.6	60
48000 <input type="checkbox"/>	213500	304800	3.5	12	88.9	305	33.2	20.1	25.4	43	26.9	57	51	17.7	24	29.7	7.1	5.1	66.7	66.7	85.7
60000	267000	306000	3.5	12	88.9	305	33.2	-	25.4	43	26.9	60	51	17.7	24	29.7	7.1	5.1	66.7	66.7	85.7

◇ Small Roller Chain    □ Hollow Pin Chains

† All sizes are subject to change without notice

Altec provide an enhanced series of chains that have higher ultimate tensile strengths. These chain are dimensionally the same as their standard chain counterparts but have enhanced breaking loads for example the 12,000lb breaking load chain above is dimensionally the same as the standard 6,000lb series chain. The main uses of these chains are in bulk material processing where slow moving environments with little or no shock loading occur.

Call Free 0800 756 9669



# Enhanced Conveyor Chains

# Conveyor Chains & Sprockets

Pitch Inch	Pitch mm	Altec Ref No	Renold Ref No	Mass Kg/m
------------	----------	--------------	---------------	-----------

12000 lbf, 54000 Newtons Breaking Load -Hollow Pin  
(Extra strength version of 6000 lbf series)

1.5	38.1	301203/7	102060/03	2.94
2	50.8	301204/15	102080/12	3.5
2.5	63.5	301205/15	102100/12	3.13
3	76.2	301206/15	102120/12	2.88
3.5	88.9	301207/15	102140/12	2.71
4	101.6	301208/15	102160/12	2.58
4.5	114.3	301209/15	102180/12	2.47
5	127	301210/15	102200/12	2.39
6	152.4	301212/15	102240/12	2.27

15000 lbf, 67000 Newtons Breaking Load -Solid Pin  
(Extra strength version of 7500 lbf series)

1.5	38.1	301503/7	162060/03	3.54
2	50.8	301504/15	162080/12	3.95
2.5	63.5	301505/15	162100/12	3.49
3	76.2	301506/15	162120/12	3.19
3.5	88.9	301507/15	162140/12	2.97
4	101.6	301508/15	162160/12	2.8
4.5	114.3	301509/15	162180/12	2.67
5	127	301510/15	162200/12	2.57
6	152.4	301512/15	162240/12	2.42

24000 lbf, 107000 Newtons Breaking Load -Hollow Pin  
(Extra strength version of 12000 lbf series)

2	50.8	302404/7	102081/03	5.23
3	76.2	302406/15	102121/12	6.93
3.5	88.9	302407/15	102141/12	6.35
4	101.6	302408/15	102161/12	5.91
4.5	114.3	302409/15	102181/12	5.57
5	127	302410/15	102201/12	5.3
6	152.4	302412/15	102241/12	4.89
7	177.8	302414/15	102281/12	4.6
8	203.2	302416/15	102321/12	4.39
9	228.6	302418/15	102361/12	4.21

/7 Bush chain & /15 Std Roller.

Pitch Inch	Pitch mm	Altec Ref No	Renold Ref No	Mass Kg/m
------------	----------	--------------	---------------	-----------

30000 lbf, 134000 Newtons Breaking Load -Solid Pin  
(Extra strength version of 15000 lbf series)

2	50.8	303004/7	162081/03	6.28
3	76.2	303006/15	162121/12	7.62
3.5	88.9	303007/15	162141/12	6.95
4	101.6	303008/08	162161/12	6.43
4.5	114.3	303009/15	162181/12	6.03
5	127	303010/15	162201/12	5.72
6	152.4	303012/15	162241/12	5.24
7	177.8	303014/15	162281/12	4.9
8	203.2	303016/15	162321/12	4.65
9	228.6	303018/15	162361/12	4.44

48000 lbf, 213500 Newtons Breaking Load -Hollow Pin  
(Extra strength version of 24000 lbf series)

3.5	88.9	304807/7	102142/03	8.2
4	101.6	304808/15	102162/12	12.74
5	127	304810/15	102202/12	11.21
6	152.4	304812/15	102242/12	10.91
7	177.8	304814/15	102282/12	9.46
8	203.2	304816/15	102322/12	8.92
9	228.6	304818/15	102362/12	8.5
12	304.8	304824/15	102482/12	7.65

60000 lbf, 267000 Newtons Breaking Load -Solid Pin  
(Extra strength version of 30000 lbf series)

3.5	88.9	306007/15	162142/12	9.9
4	101.6	306008/15	162162/12	14.22
5	127	306010/15	162202/12	12.4
6	152.4	306012/15	162242/12	11.18
7	177.8	306014/15	162282/12	10.31
8	203.2	306016/15	162322/12	9.66
9	228.6	306018/15	162362/12	9.16
12	204.8	306024/15	162482/12	8.14

Call Free 0800 756 9669

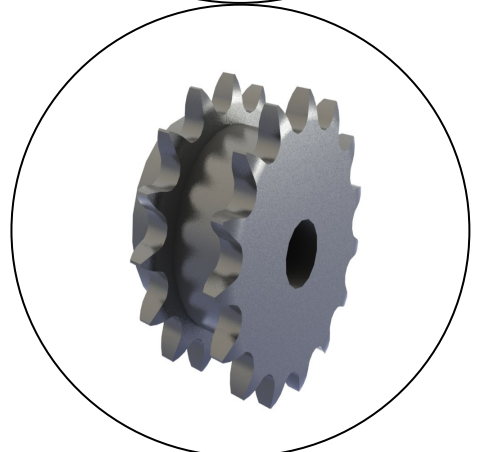
## Transmission Chains



## Conveyor Chains



## Sprockets and Gears



## Special Chain Designs



Altec UK Ltd, The Mohawk Building, Gorse Street, Blackburn. BB1 3EU

T. 0800 756 9669

F. 0800 756 9669